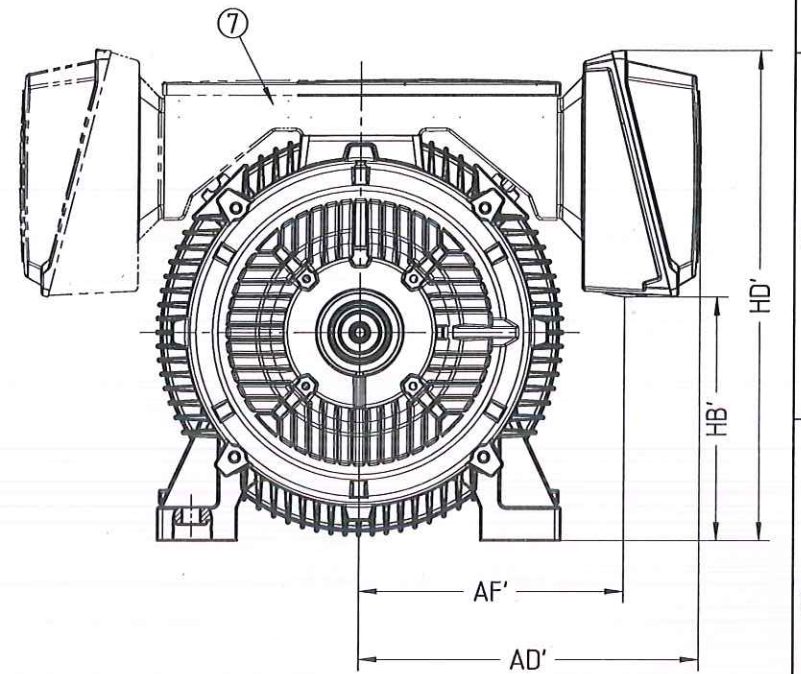
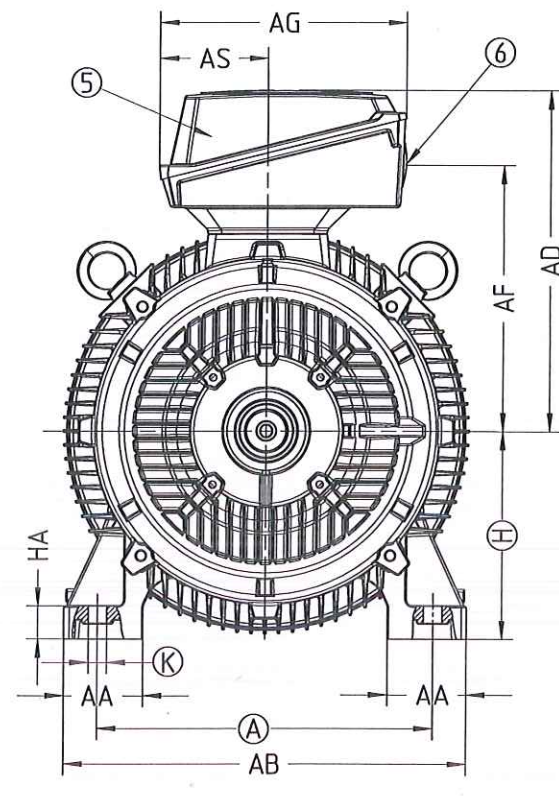
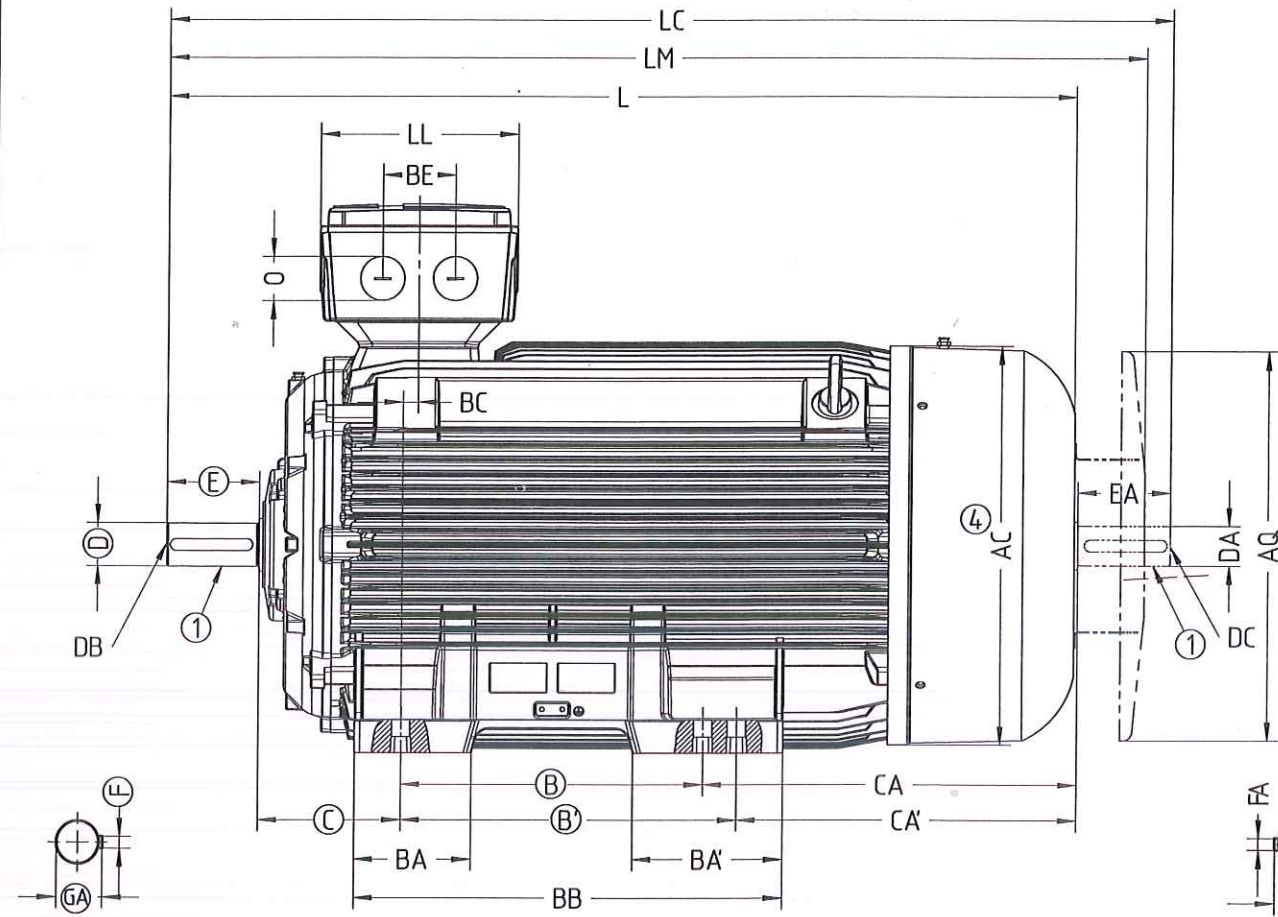


力保作
留转企
所文业
有公机
权信
任

Transmittal, reproduction, dissemination and/or editing of this document as well as utilization of its contents and communication thereof to others without express authorization are prohibited. Offenders will be held liable for payment of damages. All rights created by patent grant or registration of a utility model or design patent are reserved.

Weitergabe sowie Vervielfältigung, Verbreitung und/oder Bearbeitung dieses Dokumentes, Verwertung und Mitteilung seines Inhaltes sind verboten, soweit nicht ausdrücklich gestattet. Zuwiderhandlungen verpflichten zu Schadenersatz. Alle Rechte für den Fall der Patenterteilung, Gebrauchsmuster- oder Geschmacksmustereintragung vorbehalten.

Contiè à titre de secret d'entreprise. Tous droits réservés. Comunicado como secreto empresarial. Reservados todos los derechos. Доверенца в качестве промышленного секрета. Все права сохраняются за нами. Confiado como secreto de empresa. Nos reservamos todos los derechos.



FRAME SIZE	NO. OF POLES	A	AA	AB	④ AC	AD	AD'	AG	AS	AQ	B	B'	BA	BA'	BB	BC	BE	C	CA	CA'	H	HA	AF	HB'	AF'	HD'	K	L	LC	LL	LM	O	SHAFT EXTENSION									
																																	DRIVE END					NON-DRIVE END				
																																	D	DB	E	F	GA	DA	DC	EA	FA	GC
250M	2	406	100	490	497	410	435	319	145	470	349	-	102	102	409	24	110	168	235	-	250	40	320	290	345	600	24	887	1002	233	984	③	60	②	140	18	64	55	②	110	16	59
	1032																												65				69				60					
280S	2	457	100	540	551	435	435	319	145	525	368	-	101	152	479	20	110	190	267	-	280	40	345	340	345	655	24	960	1105	233	1066	③	65	②	140	18	69	60	②	140	18	64
	75																																20				79.5					
280M	2	457	100	540	551	435	435	319	145	525	-	419	-	-	-	-	-	-	-	-	280	40	345	340	345	655	24	1070	1215	233	1176	③	65	②	140	18	69	60	②	140	18	64
	75																																20				79.5					
315S	2	508	120	610	616	515	515	374	164	590	406	-	113	170	527	22	110	216	295	-	315	50	405	375	405	745	28	1052	1197	299	1158	③	65	②	140	18	69	60	②	140	18	64
	1082																											80					170				22					
315M	2	508	120	610	616	515	515	374	164	590	457	-	-	-	578	22	110	216	409	-	315	50	405	375	405	745	28	1217	1362	299	1323	③	65	②	140	18	69	60	②	140	18	64
	1247																											80					170				22					
315L	2	508	120	610	616	515	515	374	164	590	-	508	176	227	648	22	110	216	-	-	315	50	405	375	405	745	28	1372	1517	299	1478	③	65	②	140	18	69	60	②	140	18	64
	1402																											80					170				22					

- ① Shaft extension as per IS:1231
- ② Protected Centre hole M20x42
- ③ 2 Nos. B.S. Conduit Entry 2.5"(63.5)-IS:1653
- ④ Measured over bolt heads
- ⑤ Terminal box can be rotated in steps of 90°
- ⑥ Cable End box of Non Detachable type.
- ⑦ For Terminal Box on left,view is "mirror image"

Definitive Dimensions:
A,B,B',C,H,K,D,E,F,GA are binding dimensions for all standard motors.
All other dimensions are subject to change.
For Valid dimensions,
Please contact Regional office in your region.

Tolerance	Surface	Material	Weight	Scale
			0	mm
Author Gawde Creator 2015-12-04 Gawde Approval 2015-12-10 Liebst Department PD LD P MF-IN PDE-THA ME Change Order PSA00089803 Doc State Released Revision (Counter) 001		MTR 3.5-315 1LE7 (FR 250-315) IMB3 Product MLFB/Product-ID Item No Doc No A5E37133367A		Doc Type TB / Z Paper Size A3 1st Language en 2nd Language de
SIEMENS ©SIEMENS AG 2015		Project No Revision State AA	Ref No	Sheet 1 of 1